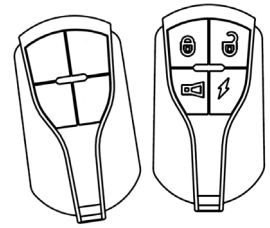
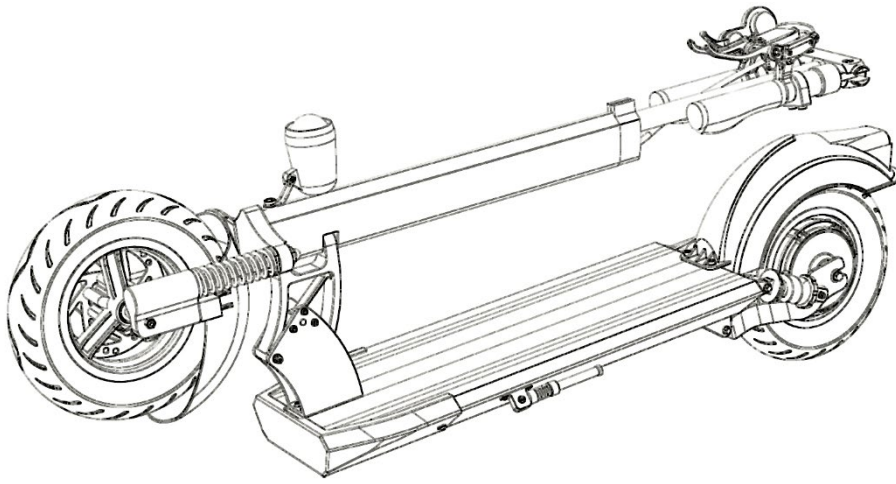


# Fuze

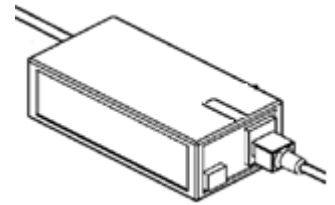


## Owner's Manual

## Your Package Contains



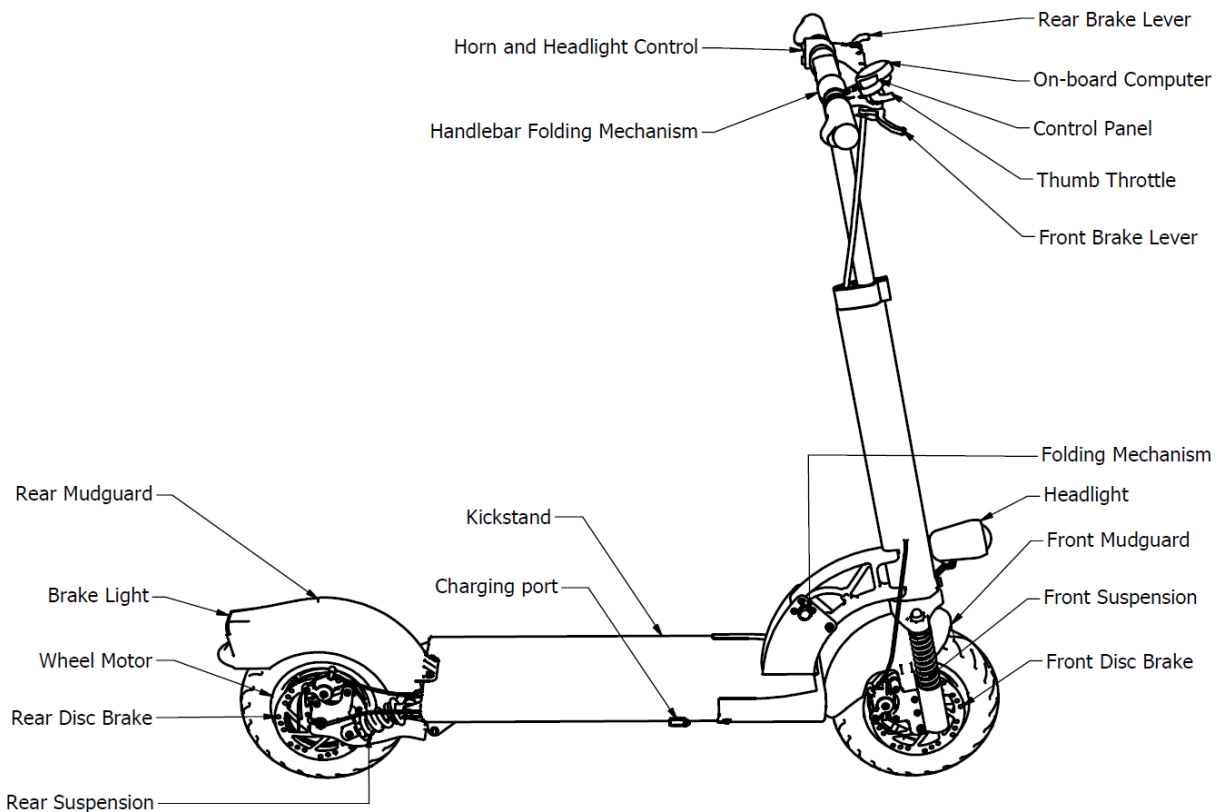
Set of wireless keys



Charging Adapter

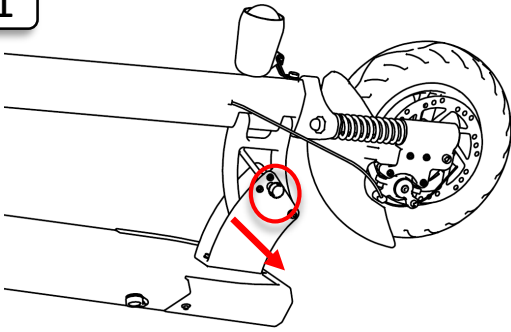
Fully assembled electric scooter

## Get to know your Fuze



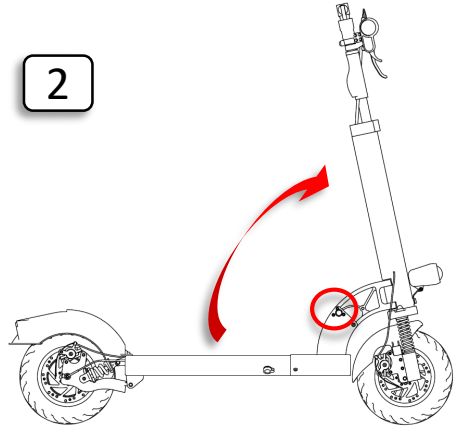
## Unfolding Your Scooter

1



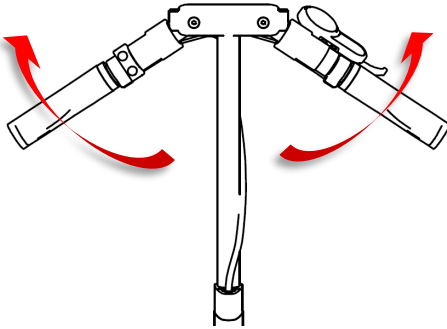
Pull out the locking pin around the folding joint

2



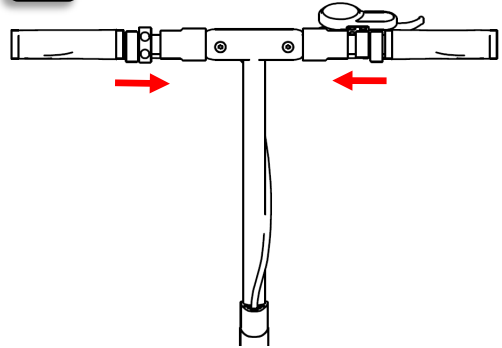
Unfold the scooter until you hear a \*click\* and make sure the pin is fully inserted

3



Straighten out the handlebars

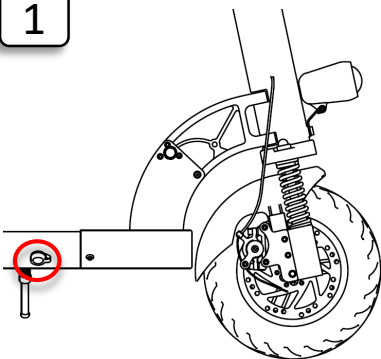
4



The handlebars will automatically lock out when unfolded

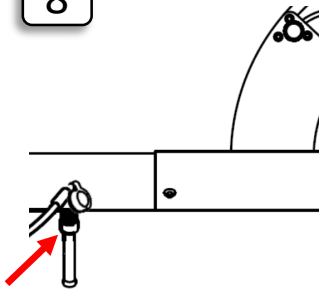
## Charging Your Scooter

1



Locate the charging port and remove the rubber flap

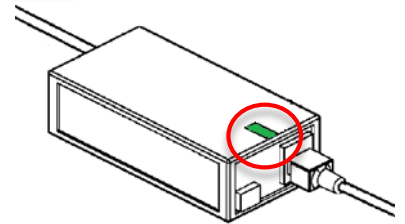
8



Plug the power adapter into the charging port.

It takes approximately 4hours to fully charge

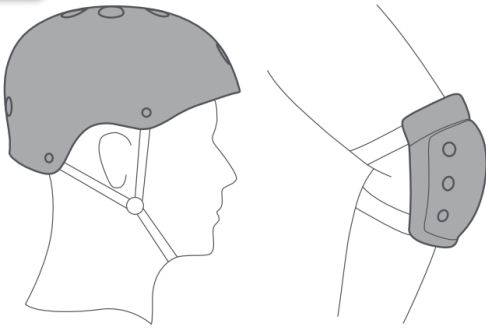
9



When the charger indicates \*green\* unplug the charger and close the rubber flap

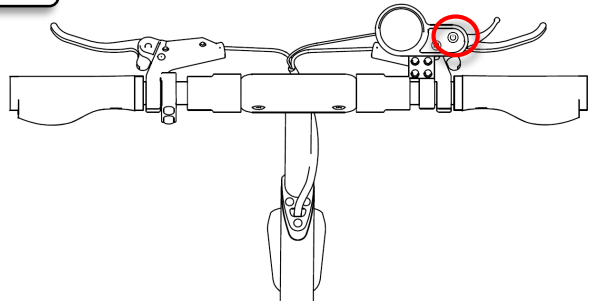
## How to Ride

1

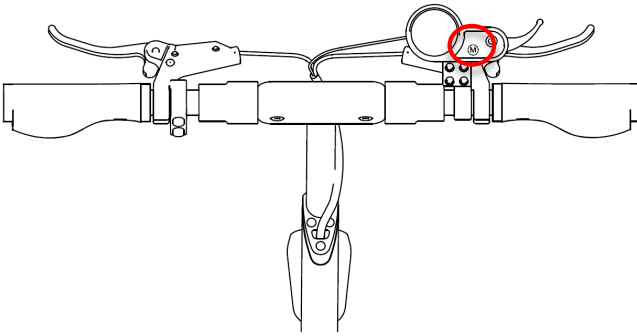


Wear helmets and knee pads at all times in case of falls and injuries

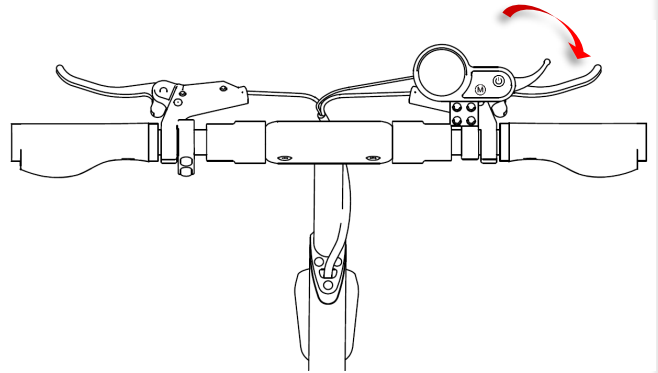
2



Press and hold the power button to turn on the scooter



Tap the mode button to toggle between power levels

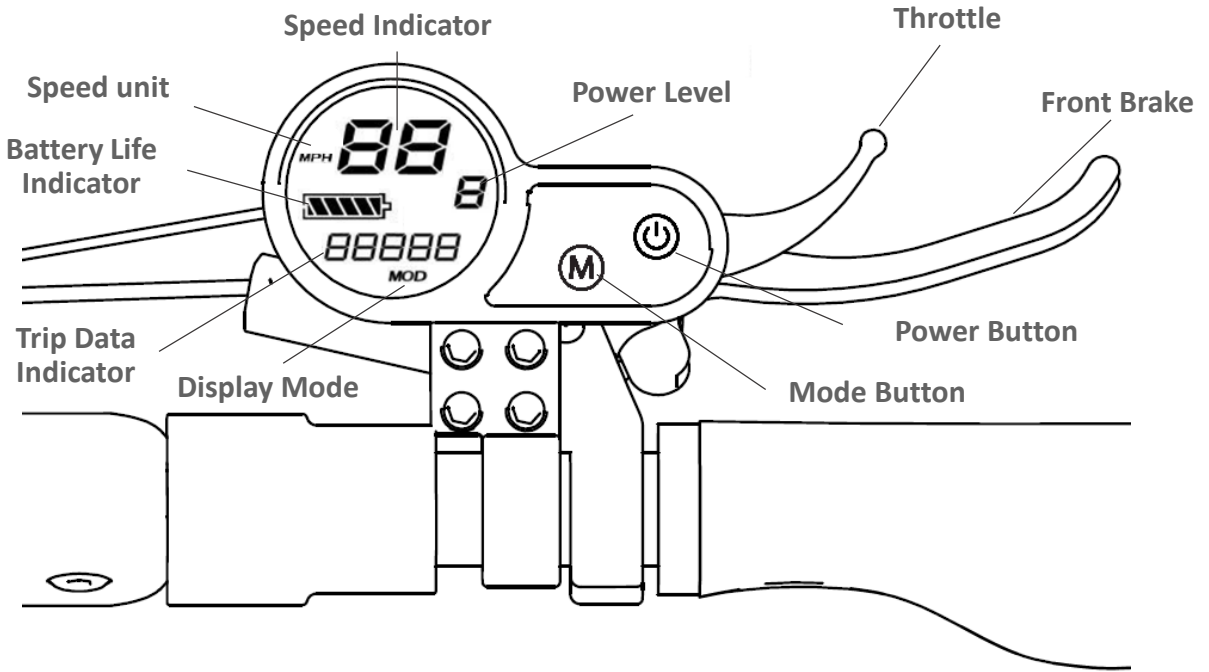


Lightly pull on the throttle to engage the motor

## Riding Safety Instructions

- Ensure all parts are tightly fitted and secure before you ride
- Ensure your speed is below 10kph/6mph when going on bumpy uneven surfaces
- Do not accelerate when travelling downhill
- Do not use the accelerator when walking along your scooter
- Do not hand bags or heavy objects on the handlebar of your Fuze
- Do not ride in puddles with water deeper than 2.5 cm/1 inches
- Do not ride with anyone else on the scooter including children
- Do not put your feet on the rear mudguard

# Getting To Know The On-Board Computer

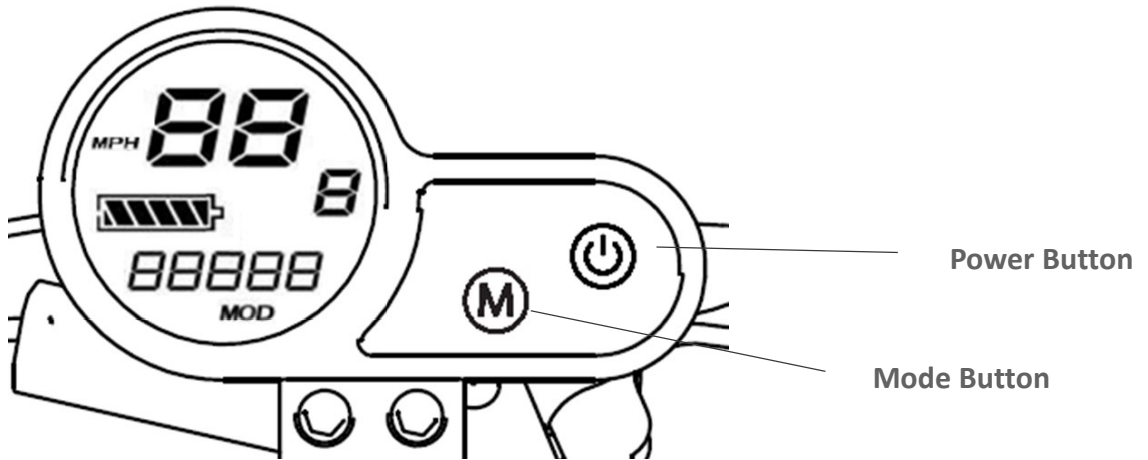


## Main Mode Selection

- Press and hold the Power button (2-3s) to switch on the Fuze Display.
- Tap the Mode button to toggle between the 3 levels of power( 1 – 2 – 3)
- Tap the power button to cycle through the display modes.

Display Mode	Description
TRIP	Current Trip Mileage (Long press Mode button to reset)
ODO	Total Mileage
CHA	(Unused)
VOL	Current Voltage
DST	(Unused)
TIME	Time Elapsed

## Changing the settings



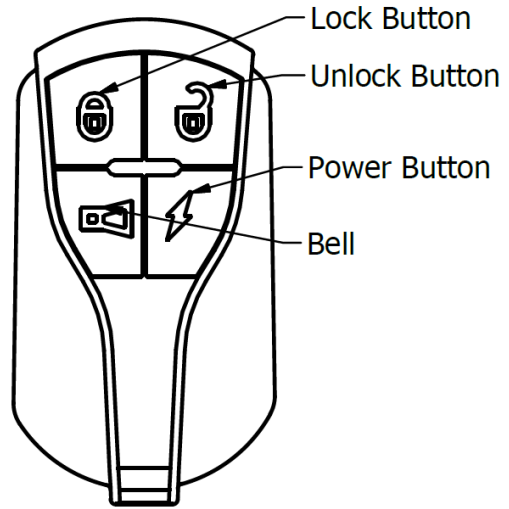
### To access and change the settings:

- Press and hold the Power button (2-3s) to switch on the Fuze Display.
- Press both the Power and Mode button together to gain access to the settings.
- Tap the power button to cycle through the different settings
- Hold the Mode button (1-2s) to select the settings to change
- Tap the Mode button to change the settings, and hold mode button to confirm
- Hold Mode and Power button together to save and exit the settings page.

Settings	Description
P02	Units (miles / km)
P03	Voltage level (48 v)
P04	Automatic shutdown time after inactivity (mins)
P06	Wheel diameter in Inches (10.0 )
P07	Hall sensor number (30)
P09	Zero start (0)
P15	Speed Limit (in chosen units, mph/kph)
P16	ODO settings (0)

## Using The Fuze Anti-Theft System

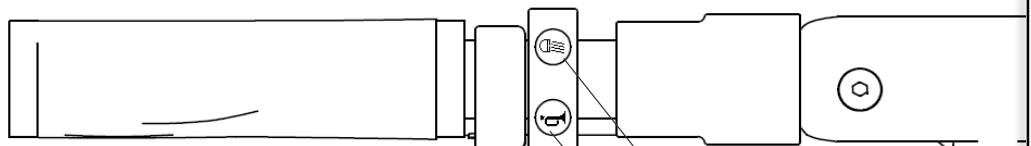
- Your Fuze comes with an anti-theft function.
- When the Scooter is **turned off**, simply press the **lock button** and the anti-theft function will be activated.
- The scooter will sound an alarm when it vibrates or moves you can turn off the anti-theft function and turn off the alarm by pressing the **unlock button**.
- The Power Button is not used
  - If your Fuze is **locked**, you will be unable to turn it on and will need to press the **unlock button** in order you to be able to power it up.



## Additional Key Features

- **Vehicle search function:** Your Fuze comes with a vehicle search function. When your scooter is turned off, simply press the bell button and it will start sounding an alarm so you can locate your scooter. This alarm will turn off on its own within 5s.
- **Using your Fuze without your key:** You can use your Fuze without your key by keeping the scooter unlocked. In this mode, the alarm will not activate and the scooter will not lock and therefore you can switch it back on without unlocking it.

## Headlights And Horn



- Your Fuze is equipped with a Headlight and a Horn which can easily be activated from the Dashboard

## Safety Reminder

- This electric scooter is a leisure device. But once they're in a public area, they'll be seen as vehicles, subjecting to any risks faced by vehicles. For your safety, please follow instructions in the manual.
- Make sure you follow and are aware of traffic laws, regulations or restrictions set forth by you local government and regulatory agencies.
- Others may also pose a risk to your safety by careless or inappropriate driving. You are exposed to road accidents just as when you are walking or cycling.
- The faster you ride the longer your braking time. On smooth surfaces the scooter may slip, lose balance and may result in a fall. Always maintain a safe distance between others and obstacles.
- Respect pedestrians' Right of Way, try not to startle them and use caution when approaching them from behind.
- Please follow the safety instructions in the manual and any rules or regulation in your jurisdiction. FuroSystems LTD shall not be liable for any financial losses, physical injuries, accidents, legal disputes and other conflicts that arise from actions that violate user instructions.
- Do not lend your scooter to anyone who does not know how to use it safely, please take the time and responsibility to ensure he/she knows how to operate the vehicle and wears the safety gear.
- Check the scooter before every use. When you note loosen parts, low battery alerts, flat tires, excessive wear, strange sounds, malfunctions and other abnormal conditions, stop riding immediately.

## Daily care and Maintenance

- Use a damp cloth to clean and remove stains from your scooter. If needed, an abrasive material such as sandpaper can be used to lightly polish the scooter. Do not use alcohol, kerosene or any other corrosive material to clean your scooter.
- When the scooter is not in use keep it indoors in a dry and cool environment.
- Use original battery packs, use of other brands may result in damage or fire.
- Do not touch the battery contacts, do not dismantle or puncture, ensure contacts are far away from metal objects to avoid a short-circuit.
- Store the battery at about 40%/60% charge, ensure the battery is not left in an environment above or below -20°C/50°C (e.g. in a car in direct sunlight)



## Technical Table

Item	Specification
Motor Nominal/Peak Power	500W/800W
Top Speed	Locked:25km/h ; Unlocked:40km/h (can be modified via computer to comply with local regulations)
Range	More than 40km at high pace
Charge Time	4.5hrs
Rider Weight Limit	150kg
Dimensions ( LxHxW )	Unfolded : 115x116x41.5 cm Folded : 115x41.5x23.5 cm
Battery Type	Integrated 48V Lithium-ion
Battery Pack Specifications	Max input voltage: 54.6v Internal Battery Management System
Item Weight	17.6 kgs
Max Climbing Angle	Approx. 14%
Readouts	Distance traveled, current velocity (km/h or mph), battery autonomy and mode
Riding Modes	Eco, Cruise and Sport
Suitable Riding Surfaces	Cement, asphalt and dirt roads
Suspension	Double, Front and Rear Mechanical (Spring)
Brakes	Electronic Regenerative Braking & Mechanical Disk brakes
Lighting	Integrated LED headlight, Rear Brake Light
Tires	10" Pneumatic Tires

## Warranty

FuroSystems guarantees each new scooter frame against defects in workmanship and materials for two years. All original components are also covered by warranty for a period of two years from the date of purchase. This warranty is expressly limited to the replacement of a defective frame, or defective parts and is the sole remedy of the warranty. This warranty applies only to original owners and is not transferable. Claims under this warranty must be made directly to the place at which you purchased the scooter, and proof of purchase is required. This warranty does not cover normal wear and tear, improper assembly or follow-up maintenance, or installation of parts or accessories. The warranty does not apply to damage or failure due to accident, misuse, abuse, or neglect. Modification of the frame or components shall void this warranty.

## Disclaimer

Under no circumstances, including, but not limited to negligence, shall FuroSystems or FuroSystems distributor (seller) be liable for any special or consequential damages that result from the inability to use the materials in this manual, even if FuroSystems has been advised of the possibility of such damages. Applicable law may not allow the limitation or exclusion of liability or incidental or consequential damages, so the above limitation or exclusion may not apply to you.

### **WARNING!**

As with all mechanical components, kick scooters are subjected to wear and tear, as well as high stresses. Different materials and components may fatigue in different ways. If the design life of a component has been exceeded, it can suddenly fail, possibly causing injuries to the rider. Any form of crack, scratches or change of colouring can indicate that the life of the components has been reached and should be replaced.

### **WARNING!**

Your scooter must comply with your countries legal requirements when riding on public roads and in all conditions, including bad weather, night time, dusk or dawn. Many countries require specific safety devices. It is your responsibility to familiarize yourself with the laws of the country where you ride and to comply with all applicable laws including properly equipping yourself and your scooter as the law requires.

## Copyright Notice

© Copyright FuroSystems LTD. All rights reserved.

This material provided by FuroSystems LTD is the property of FuroSystems LTD and is protected by copyright, trademark and other intellectual property laws. You may view this material and print this material only for personal use, provided that you maintain all copyright, trademark and other proprietary rights or notices. You may not otherwise use, reproduce, store, post, broadcast, transmit, modify, sell or make available to others or the public, content from this material without the prior written approval of FuroSystems LTD.

## Trademarks

FuroSystems® is a registered trademarks of FuroSystems LTD.

## Standards and Conformity

The Fuze is an electric kick scooter developed in accordance with:

- 2006/42/EC The Machinery Directive
- 2004/108/EC The Electromagnetic Compatibility Directive
- EN 55014-1: 2006+A1: 2009+A2: 2011, EN 55014-2: 1997+A1: 2001+A2: 2008
- EN 61000-3-2: 2014, EN 61000-3-3: 2013



## Contact Information

The Fuze is a product of FuroSystems LTD a UK registered company,

Registered number: **10411786**

[www.furosystems.com](http://www.furosystems.com)

[info@furosystems.com](mailto:info@furosystems.com)